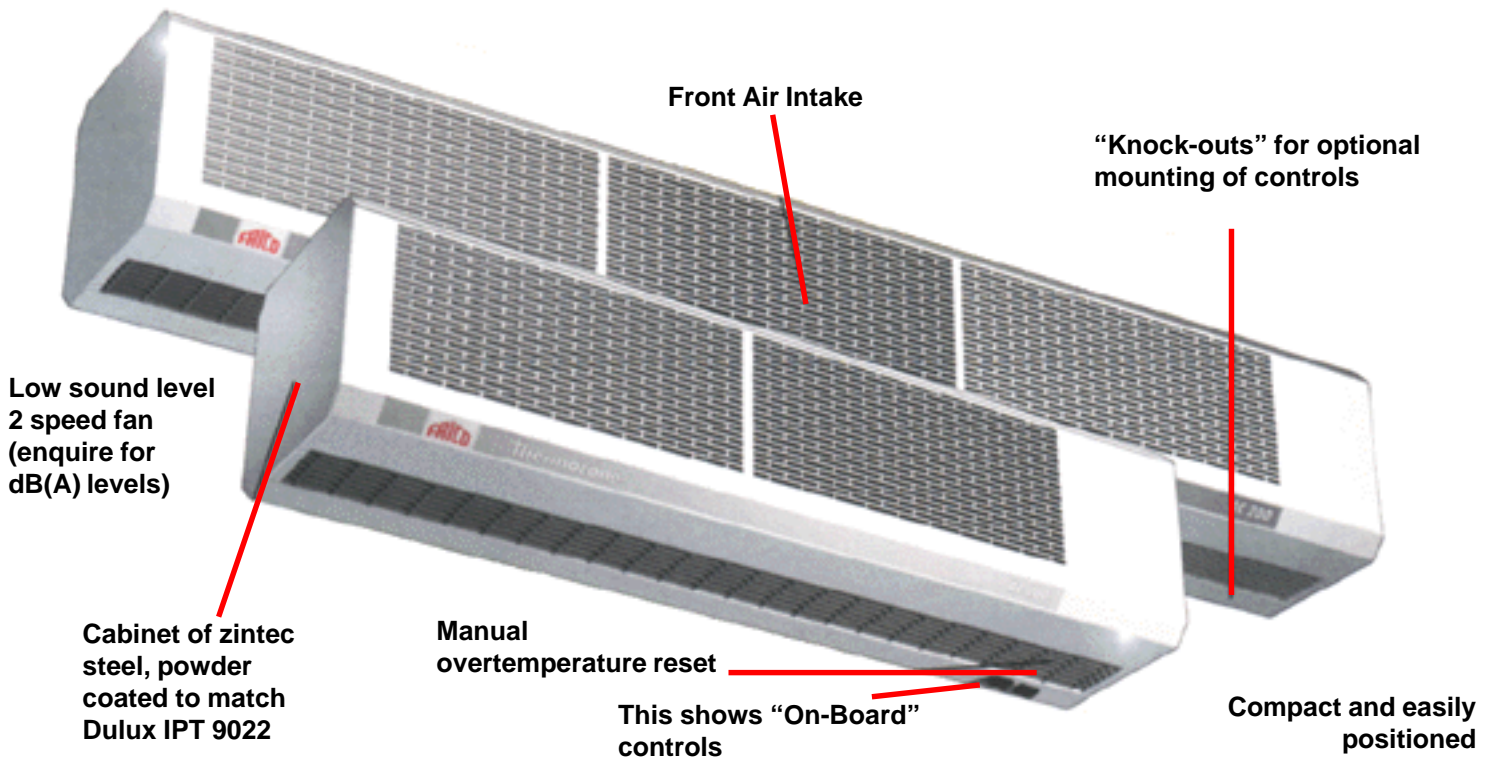


Frico Thermozone Air Curtains AC200 Models

Air Curtains for Entry Doors 3 - 15kW

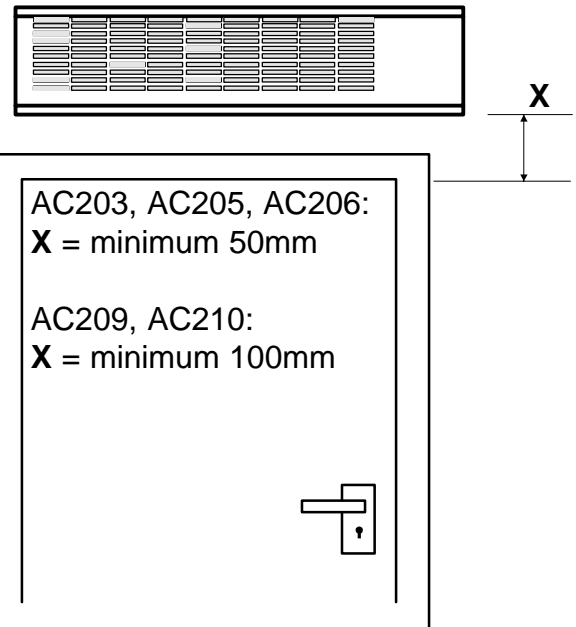
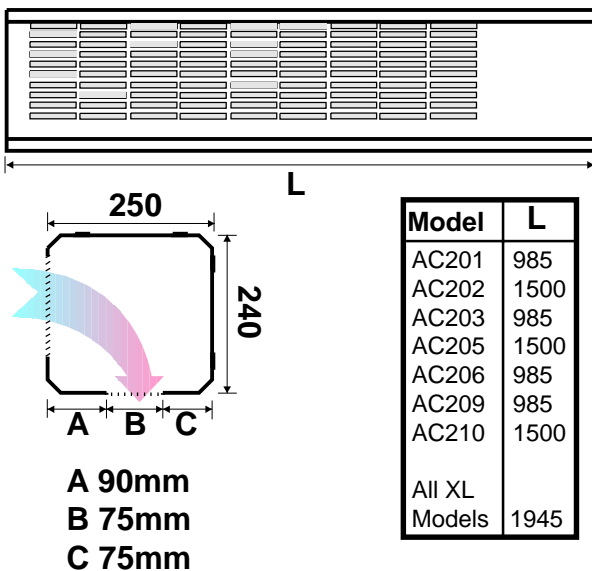


Thermozone AC200 Air Curtains are designed to be mounted above entry doors up to 2,5 metres to control cold draughts and energy losses through the door, provide good heating comfort, and enable the floor surface inside the entry to be fully utilised. Unheated models also available. The Air Curtain is compact (250mm x 240mm end profile)

with front air intake. The AC200 can be mounted where space is limited between the ceiling and the upper edge of the door opening. It can also be mounted in false ceilings, but we recommend additional safety controls.

AC 200s install end to end to cover wide openings.

Dimensions



The Thermozone AC 200 can be wall mounted or suspended from the ceiling. The AC 200 must only be mounted horizontally with a downwards air flow. For best performance Air Curtains must cover the entire door width and be positioned as near to the opening as possible. Input terminal connections are designed for cables of maximum 16 mm² and the 230V remote control terminals for maximum 6 mm² cables.

Thermozone air curtains are not supplied with air filtration or main isolator. Simple mountings are supplied, other mounting brackets are available as an optional extra (see following pages for examples)

This data is abbreviated as preliminary information for more detail call us on 0800 - DRY - AIR or see the Avon and Frico websites: www.avonelectric.co.nz www.frico.se

Control Options

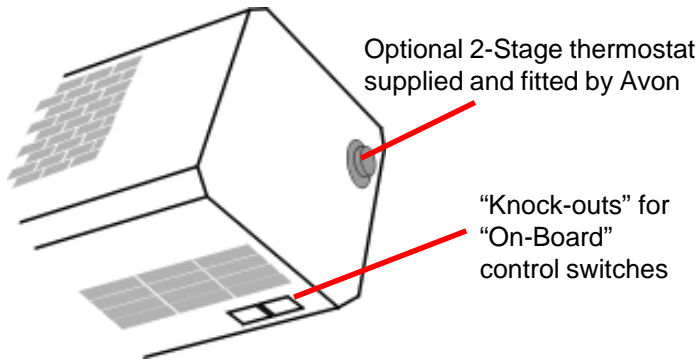


There are two basic control options, "Remote" and "On-Board".

Avon can supply an engraved control panel (left) for remote installation.

(Low/Off/High) and Heating (Low/Off/High)

Alternatively controls can be fitted to the Air Curtain itself, "knock-outs" are provided for this purpose (below), "On-Board" controls consist of two rocker switches - Fan Speed

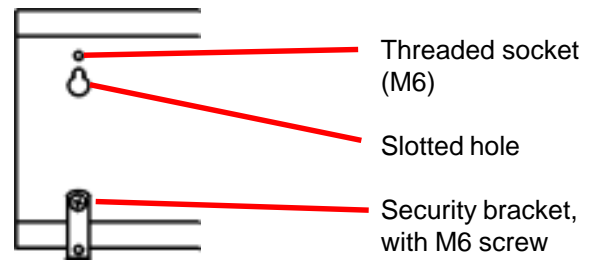


An optional two stage thermostat is also offered by Avon, this is NOT the type as illustrated in the Frico data.

Avon thermostat is installed on the Air Curtain with the control knob at the motor end of the cabinet (see above).

More sophisticated controls are available if necessary, please call to discuss.

Basic Mountings as supplied by Frico



Slotted holes on the rear of the unit are designed to hang the unit onto screws or hooks protruding from a wall.

Basic securing brackets (literally a 70mm x 20mm metal plate with two 6mm clearance holes) are fixed to the back of the unit (using M6 screws) and secured to the wall. These are to prevent the unit being knocked free of the supporting screws/hooks.

Additional M6 threaded sockets are provided on the top and rear faces for alternative mounting

Mounting Options

Frico Air Curtains are not supplied with a mains isolator fitted, this and cable entry positions must be considered during install (the XL models require 2 cable entries)

Mounting brackets can be designed to incorporate a mains isolator and conceal cable entries. Avon offers an optional mounting bracket design and build service.

Sketches on Page 3 illustrate some mounting brackets we have made for clients. **These are examples only**, we will custom design brackets to client requirements.

Basic Rules for a Successful Air Curtain Installation

Air Curtains must cover the **full opening of the door** and be installed as close to the top of the door as possible. **Less than full coverage of the opening** will cause cold draught to "sideslip" into the building.

Incoming cold (or summer warm) draughts are controlled by the highest air velocity. The further away (above) the air curtain is from the actual door opening, the less effective will be the draught control result.

Where either of the above are difficult to comply with call 0800-379-247 for advice - we have many other solutions.

All Frico Air Curtains are modified by Avon to include additional over temperature thermostat(s) with a "failsafe" bellows design, which interrupt current to each individual element.

When comparing prices — compare safety features detailed in Avon wiring diagram and consider long term liability under NZBC requirements on "Durability".

New Models and Water Coil Models

Frico offers a full range of Electric and Hot Water Heated Air Curtains.

The old Frico catalogue (pages 41 & 42) lists the AC210 (10kW model @ 1500mm) as the longest model, and since that catalogue was produced, Frico have added the XL (extra long) models AC209XL (9kW) and AC215XL (15kW) among others, to their range of Air Curtains.

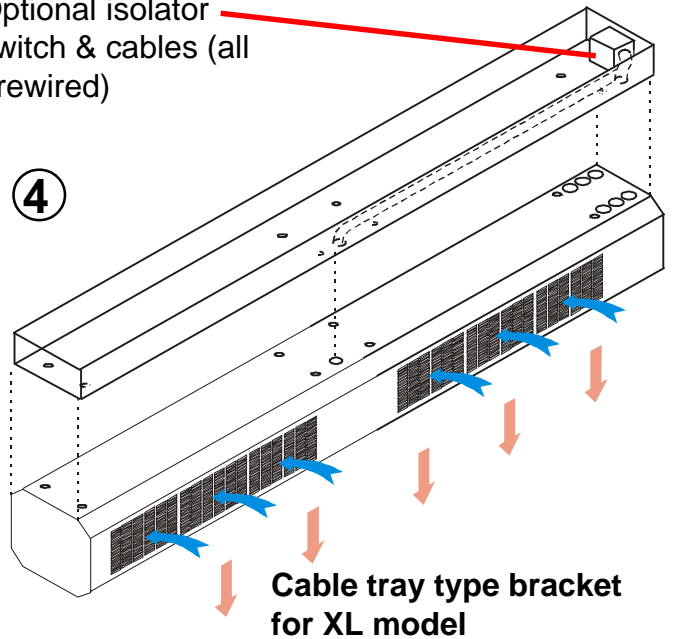
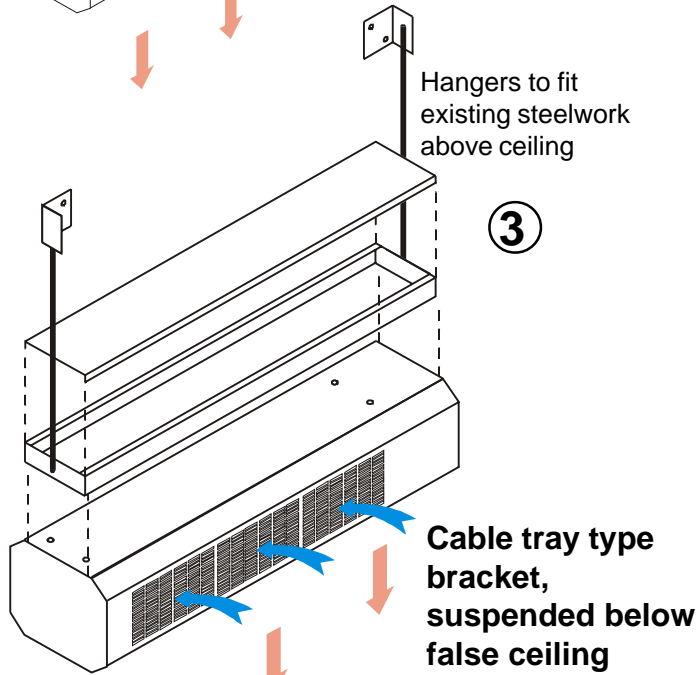
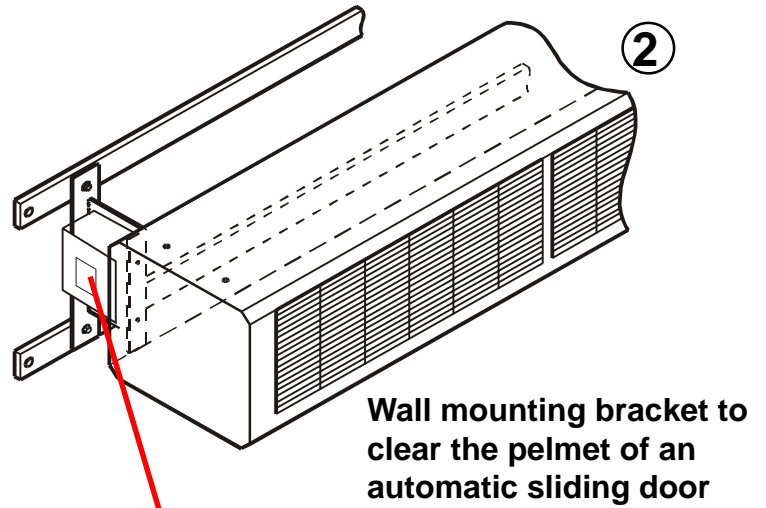
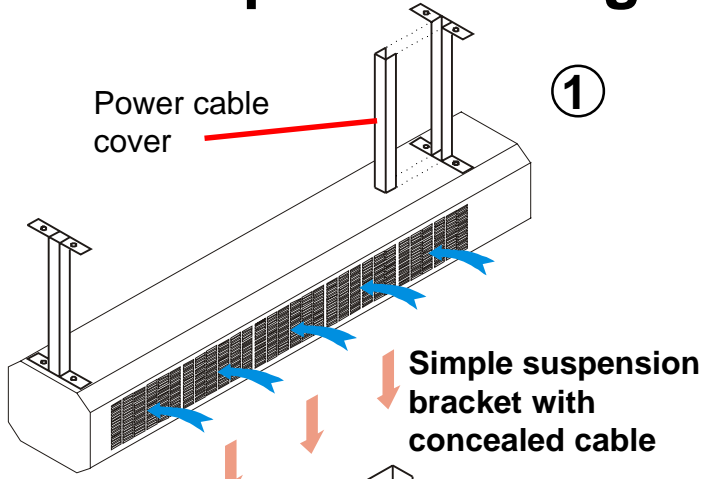
XL model detail is in the new (thin) catalogue (dated March 2000) and in special multi-page brochures.

New Upmarket Models – AD200, AD300, AD400 and Corinte are now available. These stylish new cabinets can be viewed in the air curtains section of the Frico website – www.frico.se

Where Frico air Curtains are inappropriate, or do not have sufficient performance, Avon continue to manufacture Avon Air Curtains to any specification, shape, capacity, noise level, air volume, velocity or control complexity.

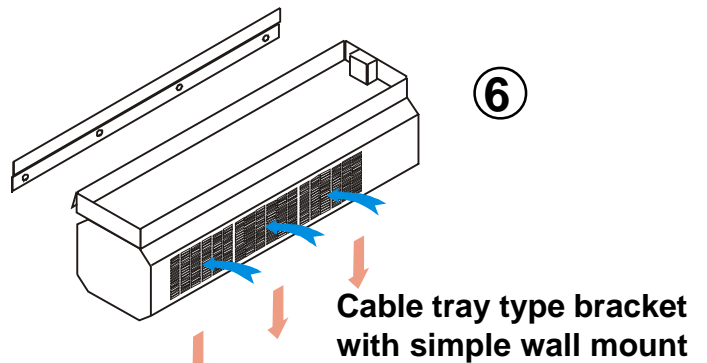
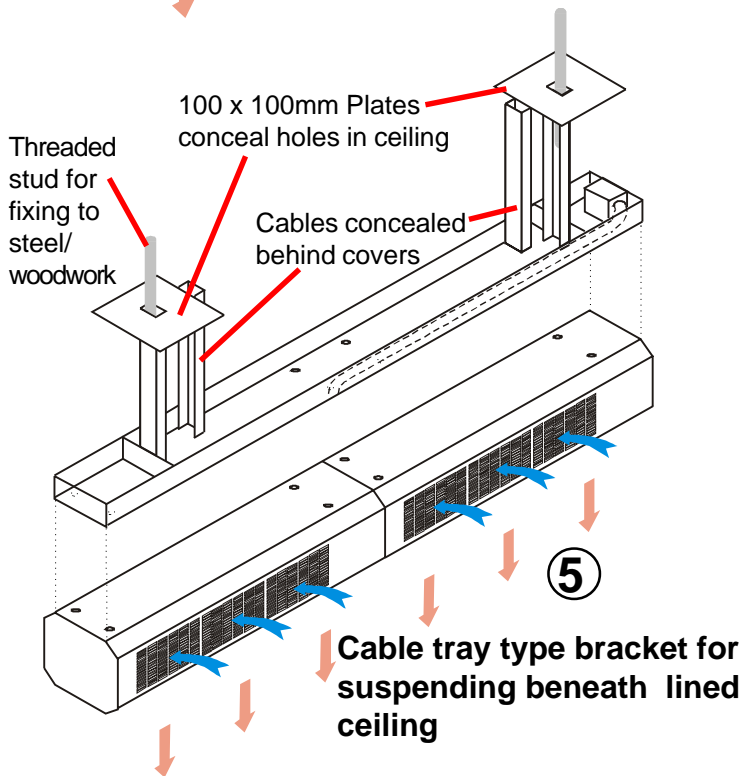
We also offer the full range (280 models) of Mars Air Doors from the USA

Example Mounting Brackets (optional extra)



Note:

XL and 1500mm models require two cable entries. This can make for a messy installation. Cable tray type mounting brackets are designed to make tidy installation easier.



Cable trays, ceiling brackets, wall brackets, cable entry and isolator positions can all be varied to suit individual requirements

Frico Thermozone Air Curtain Specifications

(3 cabinet widths available: 985mm, 1500mm, 1945mm)

985mm Models

Model		AC-201	AC-203	AC-203 C	AC-206	AC-209
Heat output	kW	Unheated	3.1	3.1	5.6	9.1
Connection voltage	V	230V~ 400V 3N~	230V~/	230V~	400V3 N~	400V3 N~
Current @ 230V~	A	0.4	13.4	13.4	-	-
Current @ 230V3~	A	-	7.9	-	14.2	23.0
Current @ 400V3N~	A	-	4.7	-	8.3	13.4
Output staging	kW	0/fan only	0/fan only /1.5/ 3	0/fan only /2/ 3	0/fan only /2.8/5.5	0/fan only /4.5/9
Temp. rise of passing air	°C	Unheated	10/8	10/8	19/14	30/23
Air flow	m3/h	900/1200	900/1200	900/1200	900/1200	900/1200
Sound level	dB(A)	42/51	42/51	42/51	42/51	42/51
Weight	kg	13.4	15.5	15	15.5	17.4
Protection class		(IP 44)	(IP 21)	(IP 21)	(IP 21)	(IP 21)

1500mm Models

Model		AC-202	AC-205	AC-210	AC-212
Heat output	kW	Unheated	5.1	10.1	12.1
Connection voltage	V	230V~	230V 3~/ 400V 3N~	230V 3~/ 400V 3N~	230V 3~/ 400V 3N~
Amperage for 230V~	A	0.6	-	-	-
Amperage for 230V3~	A	-	13.2	25.7	30.5
Amperage for 400V3N~	A	-	7.8	14.6	17.7
Output staging	kW	0/fan only /2.5/5	0/fan only /5/10	0/fan only /6/12	0/fan only
Temp. rise of passing air	°C	Unheated	10/7	21/15	26/19
Air flow	m3/h	1400/1900	1400/1900	1400/1900	1400/1900
Sound level	dB(A)	43/52	43/52	43/52	43/52
Weight	kg	18	21	27	27
Protection class		(IP 44)	(IP 21)	(IP 21)	(IP 21)

1945mm Models

Model		AC-202XL	AC-209XL	AC-215XL
Heat output	kW	Unheated	9.1	15.2
Connection voltage	V	230V~	230V 3~/ 400V 3N~	230V 3~/ 400V 3N~
Amperage for 230V~	A	0.8	-	-
Amperage for 230V3~	A	-	23	38
Amperage for 400V3N~	A	-	13.4	22
Output staging	kW	0/fan only	0/fan only /4.5/9	0/fan only /9/15
Temp. rise of passing air	°C	Unheated	15/11	25/19
Air flow	m3/h	1800/2400	1800/2400	1800/2400
Sound level	dB(A)	45/54	45/54	45/54
Weight	kg	27	31	33
Protection class		(IP 44)	(IP 21)	(IP 21)

With Compliments from **Avov** Electric Ltd.